

# Conformable Resistances (RFC ML) FLEXIBLE



Flexible conformable resistances are moldable resistances made of stainless steel, available in round or square shapes, designed to be embedded in molds.

The standard diameters we manufacture are 6.5Ø, 8Ø, and 8.5Ø for round resistances, and 6×6 and 8×8 for square resistances, with the option to produce custom sizes as well.

## General Specifications

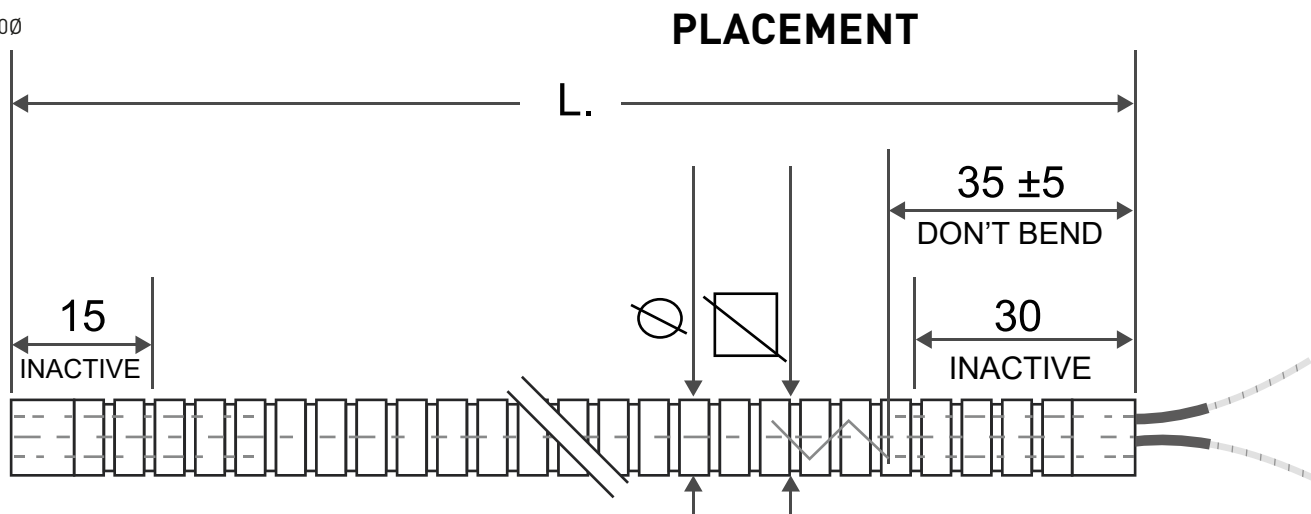
- Connections on one side: 1000mm (STANDARD)
- Corrugated stainless steel tube (ANNEALED)
- Option to manufacture TCJ - TCK
- Minimum length: 200mm
- Maximum length: 3000mm
- Maximum intensity:
  - 6.5Ø - 6×6: 5.45 Amperes
  - 8Ø - 8.5Ø - 8×8: 9.10 Amperes
- Length tolerance: ± 1.5%

## Quality Control

- Insulation: 5 Megaohms at 500 V DC when cold (minimum).
- Dielectric Strength:
  - 6.5Ø - 6×6: 1000V
  - 8Ø - 8.5Ø - 8×8: 1250V
- Nominal Power Tolerance: ± 10%

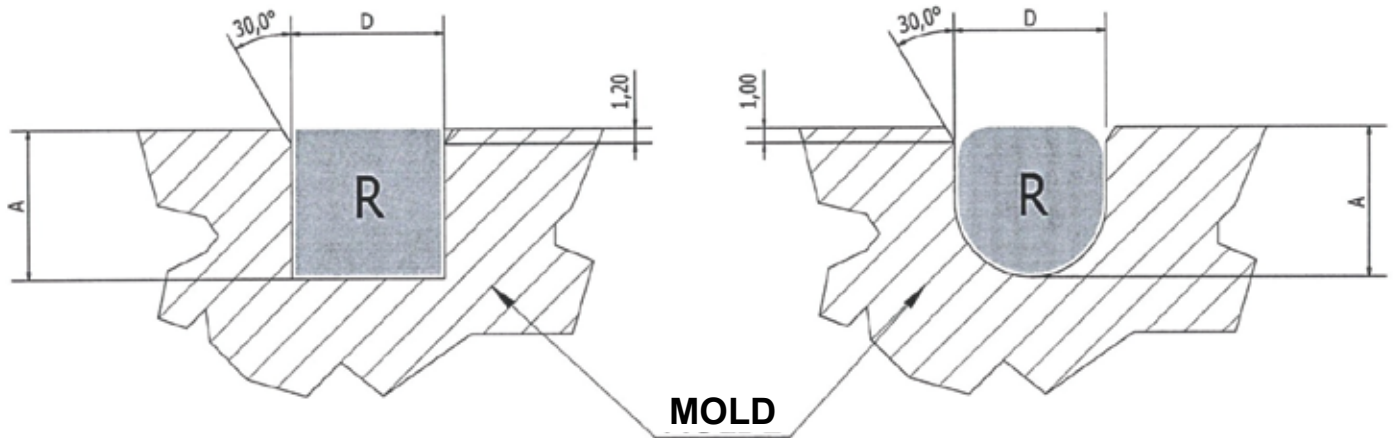
## Production Program

- 6.5Ø - 8Ø - 8.5Ø
- 6×6 [I]- 8×8 [I]



RECOMMENDED SLOT GEOMETRY			
TYPE □	A	D	MIN. BENDING RADIUS (MM)
□ 6X6 ±0.10	6.10 +0.10	7.10 +0.10	6.5
□ 8X8 ±0.10	8.10 +0.10	9.10 +0.10	10

RECOMMENDED SLOT GEOMETRY			
TYPE Ø	A	D	MIN. BENDING RADIUS (MM)
Ø 6.50 ±0.10	6.00 +0.10	6.50 +0.10	6.5
Ø 8.00 ±0.10	7.70 +0.10	8.00 +0.10	10
Ø 8.50 ±0.10	8.20 +0.10	8.50 +0.10	10



## FLEXIBLE RESISTANCES 6.5Ø

### TECHNICAL DATA



Diameter	6.5Ø
Diameter Tolerance	± 0.1%
Minimum Length	200mm
Maximum Length	3000mm
Length Tolerance	± 1.5%
Maximum Load	10W/cm2
Power Tolerance	± 10%
Dielectric Strength	1000V
Cold Insulation	5MΩ at 500V
Inactive Zone	30mm (cable area)
Non-conformable Zone (do not bend)	35mm (cable area)
Connections	cable

# FLEXIBLE RESISTANCES 8Ø and 8.5Ø

## TECHNICAL DATA



Diameter	8Ø or 8.5Ø
Diameter Tolerance	± 0.1%
Minimum Length	200mm
Maximum Length	3000mm
Length Tolerance	± 1.5%
Maximum Load	15W/cm2
Power Tolerance	± 10%
Dielectric Strength	1250V
Cold Insulation	5MΩ at 500V
Inactive Zone	30mm (cable area)
Non-conformable Zone (do not bend)	35mm (cable area)
Connections	cables

### 30 mm INACTIVE ZONE - CABLE AREA 1000 mmt

DIAMETER	LENGTH ± 1,5%	POWER 230 V	DIAMETER	LENGTH ± 1,5%	POWER 230 V	DIAMETER	LENGTH ± 1,5%	POWER 230 V
6.5 Ø ± 0.10	200	150	8 Ø ± 0.10	200	180	8,5 Ø ± 0.10	200	180
	250	210		250	255		250	255
	300	270		300	330		300	615
	350	330		350	405		350	755
	400	390		400	480		400	895
	450	450		450	555		450	1.035
	500	515		500	630		500	1.175
	550	575		550	705		550	1.315
	600	635		600	780		600	1.455
	650	695		650	860		650	1.595
	700	760		700	935		700	1.735
	750	820		750	1.010		750	1.875
	800	880		800	1.085		800	2.015
	850	940		850	1.160		850	2.155
	900	1.000		900	1.235		900	2.295
	950	1.065		950	1.310		950	2.435
	1.000	1.130		1.000	1.385		1.000	2.570
	1.050	1.185		1.050	1.460		1.050	2.710
	1.100	1.250		1.100	1.535		1.100	2.850
	1.150	1.250		1.150	1.610		1.150	2.990
1.200	1.250	1.200	1.685	1.200	3.130			
1.250	1.250	1.250	1.765	1.250	3.270			
1.300	1.250	1.300	1.840	1.300	3.400			
1.350	1.250	1.350	1.915	1.350	3.550			
1.400	1.250	1.400	1.990	1.400	3.690			
1.450	1.250	1.450	2.065	1.450	3.830			
1.500	1.250	1.500	2.095	1.500	3.970			



## For Special Fabrications:

Diameter 6.5Ø mm / Section 6×6 mm:

- Maximum Amperage: 5.45
- Maximum Length: 4.000mm

Diameter 8 – 8.5Ø mm / Section 8×8 mm:

- Maximum Amperage: 9.10
- Maximum Length: 4.000mm

SECTION	LENGTH ± 1,5%	POWER 230 V	SECTION	LENGTH ± 1,5%	POWER 230 V
6X6 ± 0.10	200	150	8X8 ± 0.10	200	180
	250	210		250	255
	300	270		300	330
	350	330		350	405
	400	390		400	480
	450	450		450	555
	500	515		500	630
	550	575		550	705
	600	635		600	780
	650	695		650	860
	700	760		700	935
	750	820		750	1.010
	800	880		800	1.085
	850	940		850	1.160
	900	1.000		900	1.235
	950	1.065		950	1.310
	1.000	1.130		1.000	1.385
	1.050	1.185		1.050	1.460
	1.100	1.250		1.100	1.535
	1.150	1.250		1.150	1.610
1.200	1.250	1.200	1.685		
1.250	1.250	1.250	1.765		
1.300	1.250	1.300	1.840		
1.350	1.250	1.350	1.915		
1.400	1.250	1.400	1.990		
1.450	1.250	1.450	2.065		
1.500	1.250	1.500	2.095		